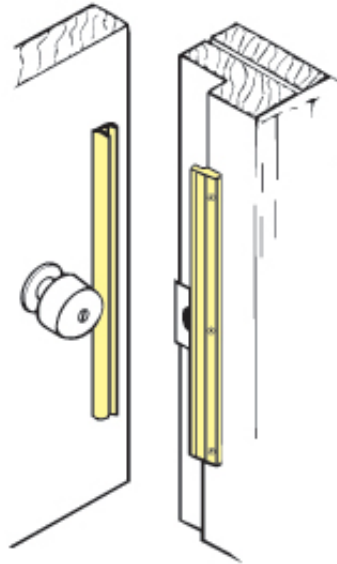




In-Swinging Latch Protector ILP 212



Product Specifications

Number	ILP 212
Dimensions	12"
Gauge	14 ga., .075
Material	Steel
Shelf pack	10
Features	For use with mortise locks and electronic locks,
Finishes	BP, CP, DU, SL
Competitor part	8843, ELP-110

