

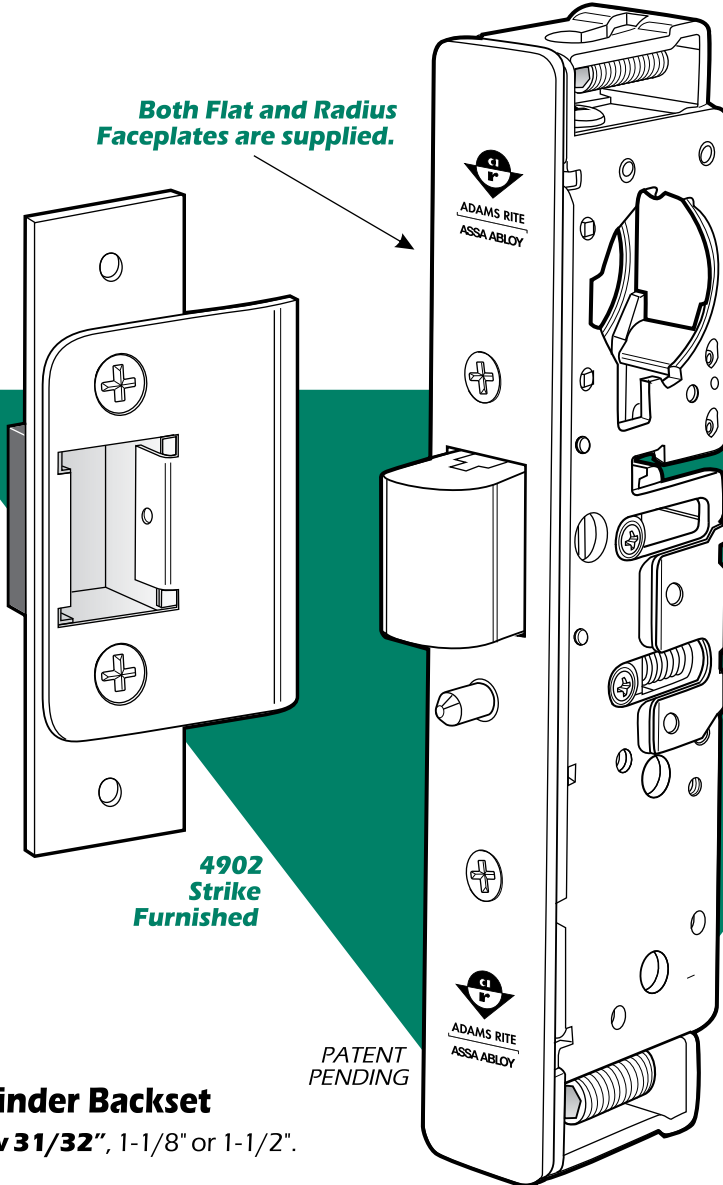
## Heavy Duty Deadlatch

For Aluminum Stile Doors

### 4900 Series

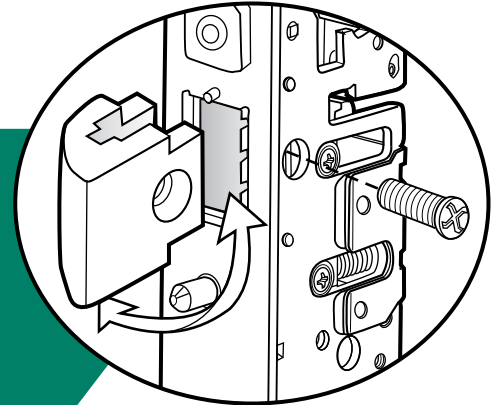
ANSI/BHMA Type E8231 (Grade 1)

Both Flat and Radius Faceplates are supplied.



4902 Strike  
Furnished

PATENT  
PENDING



Field Reversible  
Latch Bolt

#### ▼ Cylinder Backset

New 31/32", 1-1/8" or 1-1/2".

#### ▼ Case

Steel with corrosion-resistant plating. 7/8" x 5-13/16" x depth. (Depth varies by backset. See table on back page.) Screw-fastened tube spacer brackets allow for cleaner removal when tab mounting.

#### ▼ Function

Flexibility of traffic control and installation is offered by the 4900 Series Deadlatches. A reverse turn of the key while bolt is held retracted retains the bolt, to allow two-way traffic for applications which require free entrance at certain times and exit-only at other times. Interchangeable, without stile modification, with any MS1850A or MS1850S deadbolt of same backset and faceplate shape. Also retrofits to existing 4500/4700 Deadlatch preparations. 1-3/4" minimum door thickness required.

#### ▼ Latch Bolt

5/8" x 1" x 5/8" throw. Solid brass. Handing is easily reversible using only a screwdriver.

#### ▼ Auxiliary Latchpin

Stainless Steel. Deadlocks latch bolt to prevent "loiding" or case-knife entry.

#### ▼ Faceplates

1" x 6-7/8". Both flat and radius faceplates are supplied. Flat faceplates can also be adjusted in the field for right or left beveled edge doors.

#### ▼ Strikes

Standard strike furnished is 4902 for flat jamb where door closes flush or nearly flush. Specify 4901 for retrofit installations. Also available: radius strike for opposite stile in paired doors and long lip strikes for centering doors. (See page SW-30 and Electric Strike section.)

#### ▼ Operation

Turn key or operate handle or paddle to retract spring-loaded latch bolt. To hold bolt retracted, push it in and secure by reverse turn of key (see back page). Uses any standard mortise cylinder with MS® cam (see page SW-37).

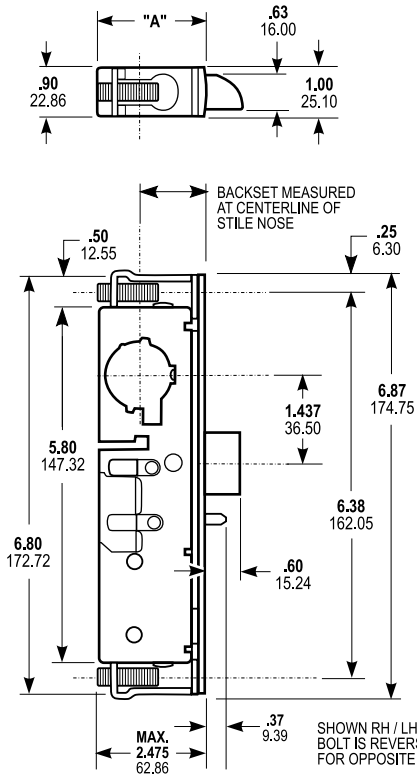


# 4900 Series Deadlatch

## DIMENSIONS

**INCHES**  
**MILLIMETERS**

Nominal, subject to tolerance extremes.

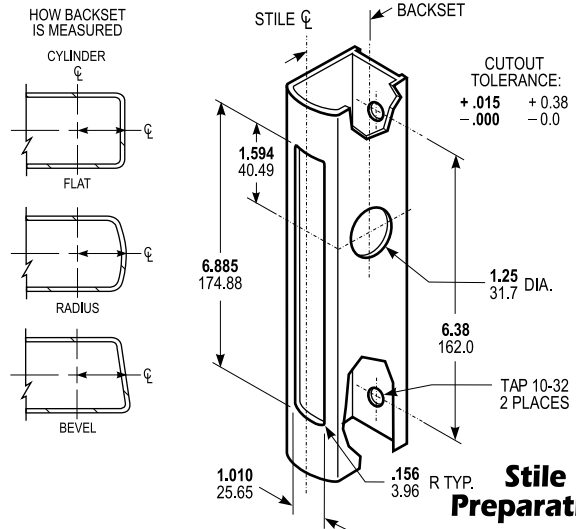


BACKSET	"A"
<b>31/32"</b> 24.6	<b>1.63</b> 41.4
<b>1-1/8"</b> 28.6	<b>1.76</b> 44.7
<b>1-1/2"</b> 38.1	<b>2.14</b> 54.3

ARMORED FACEPLATE 1" x 6-7/8"
FLAT P/N 24-0137-01-XXX
RADIUS P/N 24-0137-02-XXX
RADIUS w/WEATHERSTRIP P/N 24-0137-03-XXX

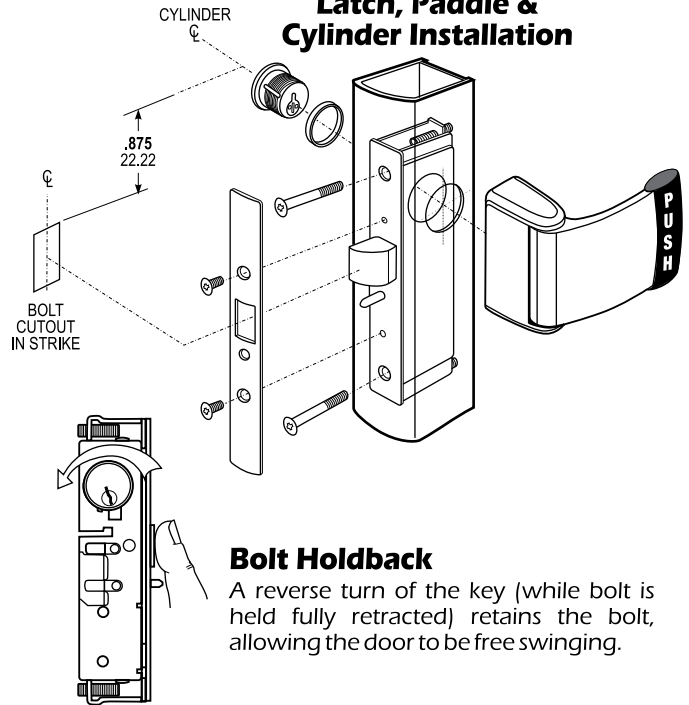
FLAT FACEPLATE CAN BE ADJUSTED FOR RIGHT OR LEFT BEVELED EDGE DOORS

## INSTALLATION



**Stile Preparation**  
Identical to MS1850A or MS1850S Series  
(See prep for 4591 Paddle)

### Latch, Paddle & Cylinder Installation



### Cylinder Cam

4900 Series Deadlatches are operable by any standard 1-5/32" diameter mortise cylinder with special MS® cam dimensioned as shown. Cylinders with MS® cams can be readily obtained from most cylinder manufacturers. See page SW-37 for cylinder make and trim ring information.

## HOW TO ORDER

Specify quantity and the following information.  
Order related hardware separately.

**4900** Deadlatch  
**4911W** Radius w/  
Weatherseal

**Backset**  
**2** 31/32"  
**3** 1-1/8"  
**4** 1-1/2"

**Handing\***  
**5** LH or RHR  
**6** RH or LHR

\*Handing can be reversed in field.

# 4900-35-201-628

**Strike Size\*\***  
**1** 4.63"  
(4901)  
**2** 2.63"  
(4902)

**Strike Shape/Lip Length\*\***  
**01** Flat/Standard Jamb  
**02** Radius/Standard Stile  
**17** Flat/Centerhung 4.0" Jamb  
**21** Flat/Centerhung 4.5" Jamb  
**XX** Other Lip lengths

**Faceplate Finish**  
**628** Clear Anodized  
**313** Dark Bronze Anod.  
**335** Black Anodized

For other available finishes, contact factory.

\*\*See page SW-30 4901/4902 for available strike options.

## OPTIONS

Backset, Strike and Finish must be specified when ordering. For handles, see page SW-31, 32 and 33. For Paddles, see page SW-34 and SW-35. For outside entry Latch Pull, see page SW-36. See electric strike section for compatible access control products. See 4920AN Series for wood and steel door applications.

## STANDARD PACKAGE

Individually boxed with Flat and Radius Faceplates, Strike and machine screws for mounting. Order cylinders, paddle, handle or latch pull separately. Shipping weight: 1-1/4 lbs.