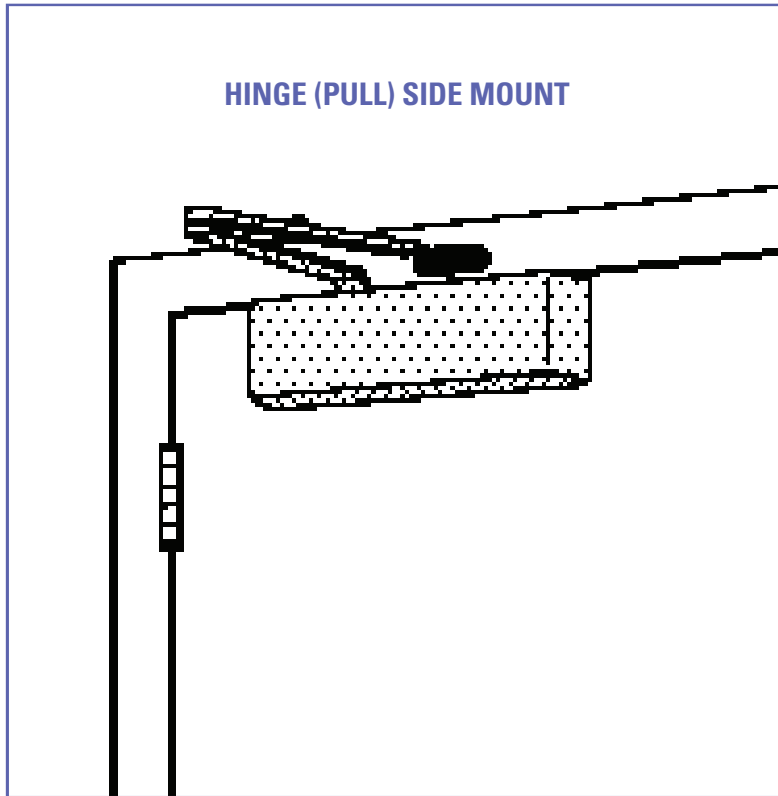


LCN 4010 SERIES



The 4010 SMOOTHIE® is LCN's best performing heavy duty closer designed specifically for institutional and other rugged high traffic applications.

- ▶ Ten Million Cycles
- ▶ Cast Iron
- ▶ Forged Steel Main Arm
- ▶ Double Heat Treated Steel Pinion
- ▶ All Weather Fluid
- ▶ LCN® Fast™ Power Adjust
- ▶ Fast & Accurate Installation
- ▶ UL & cUL Listed

- ▶ Standard 4010 series closer is shipped with regular arm, standard plastic cover, and self reaming and tapping screws. See 4010 Series pages 5 & 6 for options.
- ▶ Size 6 (4010) cylinder for interior doors to 5'0" and exterior doors to 4'0".
- ▶ Non-sized cylinder (4011) adjustable for interior doors to 4'6" and exterior doors to 3'6".
- ▶ Closer mounts hinge side, specify right or left swinging door.
- ▶ 4011 cylinder meets ADA requirements. See 4010 Series page 7.
- ▶ Standard or optional custom powder coat finish.
- ▶ Optional plated finish on metal cover, arm and fasteners.
- ▶ Optional SRI primer for installations in corrosive conditions is available with powder coat only.
- ▶ The 4010 Series is UL and cUL listed with regular or fusible link arms for self-closing doors.
- ▶ Tested and certified under ANSI Standard A156.4, grade one.



MOUNTING					FINISH		COVER		CYLINDER				**ARM FUNCTION							
HINGE (PULL) SIDE	TOP JAMB (PULL)	TOP JAMB (PUSH)	PARALLEL ARM	STOP FACE	POWDER COAT	PLATED	PLASTIC	METAL	NON-HANDED	NON-SIZED	ACCESSIBILITY	DELAYED ACTION	AV8***	REGULAR (DOUBLE)	STANDARD (SINGLE)	HOLD-OPEN	FUSIBLE LINK	EDA/ADA	CUSH/NO CUSH	SCUS/NO SCUS
●	○	○	○	○	●	●	●	●	○	●	●	●	○	140°	○	140°	○	○	○	○

● Available
○ Not available

Closer available with less than 5.0 lbs. opening force on 36" door.
**Maximum opening/hold-open point with standard template.
*** Advanced Variable Backcheck

LCN 4010 SERIES

HINGE (PULL) SIDE MOUNTING

MAXIMUM OPENING

Can be templated for 100°,

Ⓐ = 5 15/16" (151 mm)

Ⓑ = 11 15/16" (303 mm)

or 140°.

Ⓐ = 4 3/16" (106 mm)

Ⓑ = 10 3/16" (259 mm)

Hold-open points up to maximum opening with hold-open arm.

Arm Clearance above door.

Regular arm requires Ⓒ =

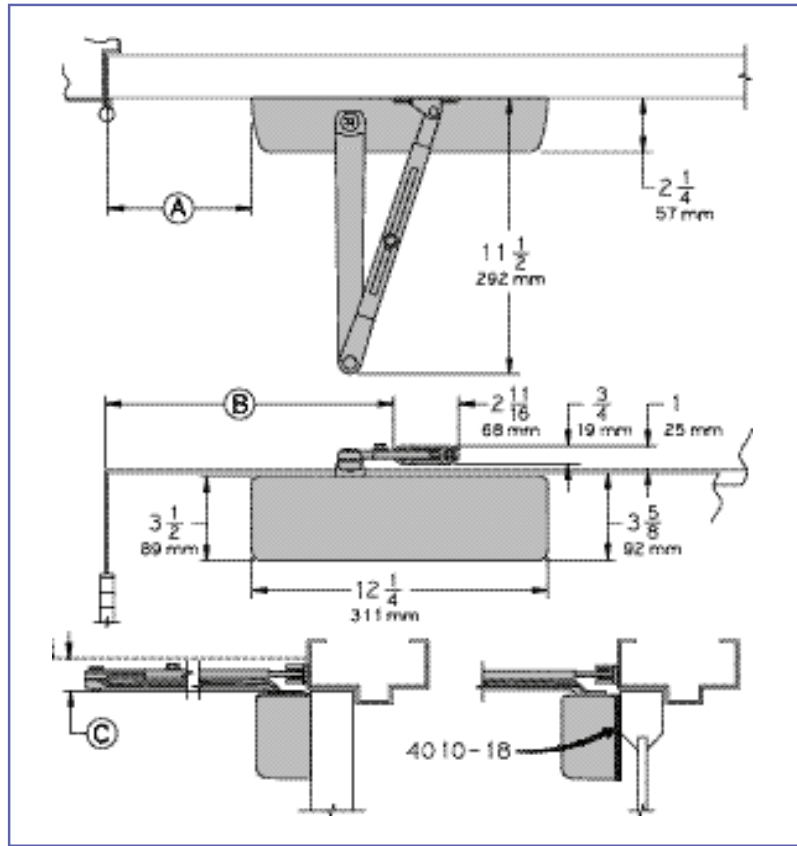
1 1/16" (27 mm).

Hold-open arm requires Ⓒ =

1 3/8" (35 mm).

Fusible link arm requires Ⓒ =

1 5/8" (41 mm).



- ▶ **Butt Hinges** should not exceed 5" (127 mm) in width.
- ▶ **Auxiliary Stop** is recommended at hold-open point or where a door cannot swing 140°.
- ▶ **Reveal** should not exceed 3/4" (19 mm). Fusible link arm should not exceed 1/8" (3 mm).
- ▶ **Top Rail** less than 3 3/4" (95 mm) requires PLATE, 4010-18. Plate requires 2" (51 mm) minimum.
- ▶ **Clearance** of 2 1/4" (57 mm) behind door required for 90° installation.
- ▶ **Delayed Action** Add suffix "DEL" to selected cylinder. Not available with 4016 cylinder. Delays closing from maximum opening to approximately 70°. Delay time adjustable up to approximately 1 minute.

Options

- ▶ Size 6 or non-sized cylinder.
- ▶ Delayed action cylinder.
- ▶ Hold-open or fusible link arm.
- ▶ Metal cover.

Special Templates

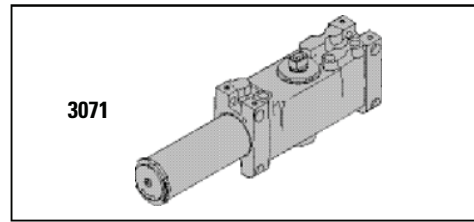
Customized installation templates or products may be available to solve unusual applications. Contact LCN for assistance.

LCN 4010 SERIES

CYLINDERS

CYLINDER, 4010-3071

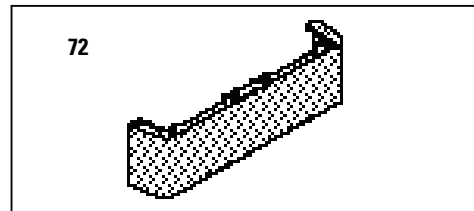
Standard, handed cast iron cylinder assembly.
For various applications see "Table of Sizes" on 4010 Series page 7.



COVERS

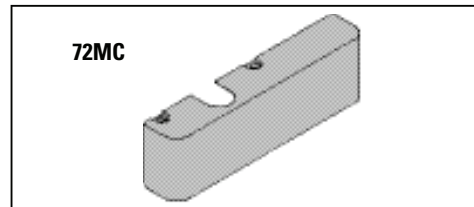
COVER, 4010-72

Standard, non-handed plastic cover.



METAL COVER, 4010-72MC

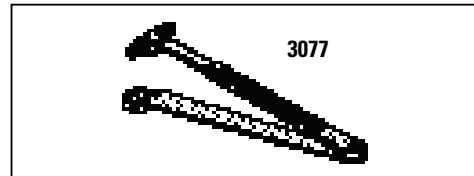
Optional, handed cover. Required for plated finishes and custom powder coat finishes.



ARMS

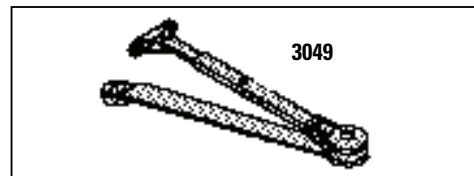
REGULAR ARM, 4010-3077

Non-handed arm.



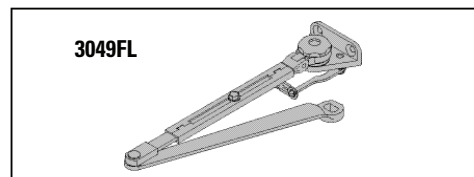
HOLD-OPEN ARM, 4010-3049

Optional, handed arm provides hold-open function, adjustable at elbow.



FUSIBLE LINK ARM, 4010-3049FL

Optional, handed arm releases hold-open function when exposed to temperatures above 165° F.
1/8" (3 mm) maximum reveal. NOTE: Check local codes before specifying FL arms. NOT A LIFE SAFETY PRODUCT!



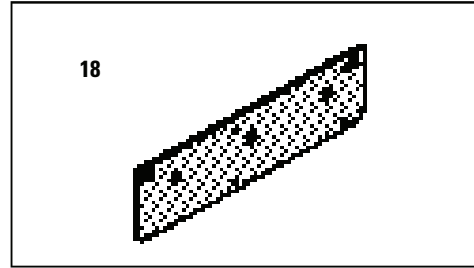
LCN 4010 SERIES

INSTALLATION ACCESSORIES

PLATE, 4010-18

Required where top rail is less than 3 3/4" (95 mm).

Plate requires minimum 2" (51 mm) top rail.

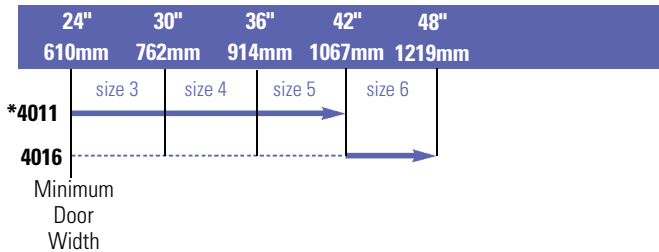


LCN 4010 SERIES

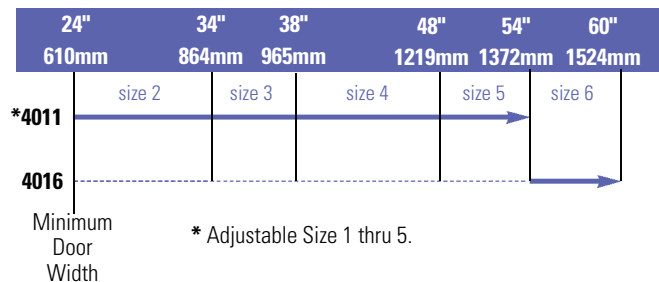
TABLE OF SIZES Select closer based on width of door.
 The spring power of non-sized 4011 cylinder is adjustable from size 1 through size 5 and is shipped set to size 3.
 Sized 4010 series cylinder available in size 6.
 Delayed action not available with 4016 cylinder.

→ Indicates recommended range of door width for closer size.

EXTERIOR (and VESTIBULE) DOOR WIDTH



INTERIOR DOOR WIDTH



REDUCED OPENING FORCE 4010 CLOSERS

CAUTION! Any manual door closer, including those certified by BHMA to conform to ANSI Standard A156.4, that is selected, installed and adjusted based on ADA or other reduced opening force requirements may not provide sufficient power to reliably close and latch a door.

Refer to POWER OPERATORS section for information on systems that meet reduced opening force requirements without effecting closing power.

	DOOR WIDTH	36"	42"	48"
	8.5* lbs.	4011	4011	4011
	5.0* lbs.	4011	4011	4011

* Maximum opening force

HOW-TO-ORDER 4010 SERIES CLOSERS

1. SELECT CYLINDER SIZE

- 4011 (adjustable from size 1 to 5)
- 4016 (DEL not available)

2. SPECIFY HAND

- RH
- LH

3. SELECT FINISH

- Standard Powder Coat _____
 Aluminum, Dark Bronze, Statuary,
 Light Bronze, Black, Brass.

Closer will be shipped with:

- STANDARD COVER,
- REGULAR ARM,
- SELF-REAMING and TAPPING SCREWS,
 unless options listed below are selected.

CLOSER OPTIONS

CYLINDER

- Delayed Action (DEL)

COVER

- Metal (MC)

ARM

- Hold-Open (H)
- Fusible Link, 165°F (FL)

FINISH

- Custom Powder Coat (RAL) _____
 (handed metal cover required)
- Plated Finish, US _____
 (handed metal cover required)
- SRI primer

SCREW PACK

- TB* & SRT Screw (TBSRT)
 - Wood & Machine Screw (WMS)
 - TB*, Wood & Machine Screw (TBWMS)
 - TORX Machine Screw (TORX)
 - TB* & TORX Machine Screw (TBTRX)
- * Specify door thickness if other than 1 3/4".

INSTALLATION ACCESSORIES

- Plate, 4010-18

SPECIAL TEMPLATE

- ST- _____