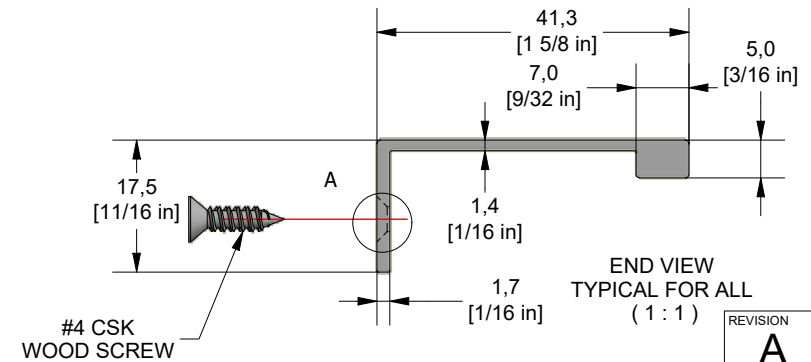
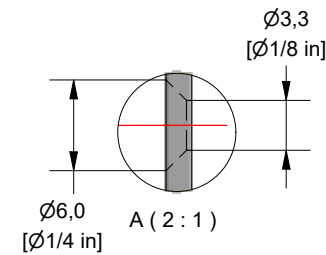
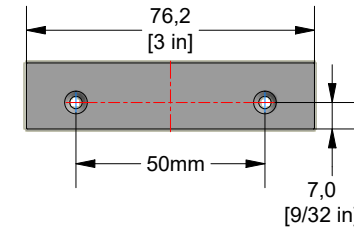


111.95.190,191,192,230



ITEM NUMBER	DESCRIPTION
111.95.190	HANDLE TAB ELITE ALU MATT 3"
111.95.191	HANDLE TAB ELITE ALU DORB 3"
111.95.192	HANDLE TAB ELITE ALU MATTE GOLD 3"
111.95.220	HANDLE TAB ELITE ALU SLATE/GRAPHITE 3
111.95.230	HANDLE TAB ELITE POL CHROME 3"
111.95.250	HANDLE TAB ELITE ALU NI MATT 3
111.95.320	HANDLE TAB ELITE ALU BLK 109AL65 3
111.95.240	HANDLE TAB ELITE ALU SLATE/GRAPHITE 9
111.95.241	HANDLE TAB ELITE POL CHROME 9"
111.95.242	HANDLE TAB ELITE ALU MATT 9"
111.95.243	HANDLE TAB ELITE ALU DORB 9"
111.95.244	HANDLE TAB ELITE ALU MATTE GOLD 9"
111.95.251	HANDLE TAB ELITE ALU NI MATT 9
111.95.321	HANDLE TAB ELITE ALU BLK 109AL65 9
111.95.195	HANDLE TAB ELITE ALU MATT 18.5"
111.95.196	HANDLE TAB ELITE ALU ALU DORB 18.5"
111.95.197	HANDLE TAB ELITE ALUMATTE GOLD 18.5"
111.95.221	HDL TAB ELITE ALU SLATE/GRAPHITE 18.5
111.95.231	HANDLE TAB ELITE ALU POL CHROME 18.5
111.95.252	HANDLE TAB ELITE ALU NI MATT 18.5
111.95.322	HANDLE TAB ELITE ALU BLK 109AL65 18.5
111.95.200	HANDLE TAB ELITE ALU MATT 24.5"
111.95.201	HANDLE TAB ELITE ALU ALU DORB 24.5"
111.95.202	HANDLE TAB ELITE ALUMATTE GOLD 24.5"
111.95.222	HDL TAB ELITE ALU SLATE/GRAPHITE 24.5
111.95.232	HANDLE TAB ELITE ALU POL CHROME 24.5"
111.95.253	HANDLE TAB ELITE ALU NI MATT 24.5
111.95.323	HANDLE TAB ELITE ALU BLK 109AL65 24.5
111.95.205	HANDLE TAB ELITE ALU MATT 30.5"
111.95.206	HANDLE TAB ELITE ALU ALU DORB 30.5"
111.95.207	HANDLE TAB ELITE ALUMATTE GOLD 30.5"
111.95.223	HDL TAB ELITE ALU SLATE/GRAPHITE 30.5
111.95.233	HANDLE TAB ELITE ALU POL CHROME 30.5"
111.95.254	HANDLE TAB ELITE ALU NI MATT 30.5
111.95.324	HANDLE TAB ELITE ALU BLK 109AL65 30.5
111.95.210	HANDLE TAB ELITE ALU MATT 36.5"
111.95.211	HANDLE TAB ELITE ALU ALU DORB 36.5"
111.95.212	HANDLE TAB ELITE ALUMATTE GOLD 36.5"
111.95.224	HDL TAB ELITE ALU SLATE/GRAPHITE 36.5
111.95.234	HANDLE TAB ELITE ALU POL CHROME 36.5"
111.95.255	HANDLE TAB ELITE ALU NI MATT 36.5
111.95.325	HANDLE TAB ELITE ALU BLK 109AL65 36.5

RevNo	Project # or Change request #	Date	Signature	Checked
A	Added black and graphite finishes items	8.11.2022	NPG	GS

ITEM/CATALOG NUMBER 111.95.XXX	DRAWING NUMBER 111.95.XXX
TITLE HANDLE TAB ELITE	
MATERIAL ALUMINUM	FINISH A.S.
<small>NOTICE</small> THIS DRAWING AND ALL INFORMATION THEREON IS THE PROPERTY OF: HÄFELE <small>THIS DRAWING AND INFORMATION THEREON IS CONFIDENTIAL. MUST NOT BE MADE PUBLIC. COPIES OR USED TO DISADVANTAGE OF HÄFELE AMERICA CO. IT IS PUBLICLY RELEASED BY HÄFELE AMERICA CO.</small>	
<small>TOLERANCE SPECIFICATION</small> ISO 2768-m	
<small>ISO E</small> 	<small>SCALE</small> 1 : 1
<small>SIZE</small> A	<small>REVISION</small> A
<small>SHEET</small> 1 of 1	